



Scan to see website

## T-IN2-REC1, T-IN4-REC1, T-IN6-REC1

### Quick Start Guide

This guide helps you install and use your T-IN2-REC1, T-IN4-REC1, T-IN6-REC1 for the first time.

Go to [www.kramerav.com/downloads/T-IN2-REC1](http://www.kramerav.com/downloads/T-IN2-REC1), [www.kramerav.com/downloads/T-IN4-REC1](http://www.kramerav.com/downloads/T-IN4-REC1) & [www.kramerav.com/downloads/T-IN6-REC1](http://www.kramerav.com/downloads/T-IN6-REC1) to download the latest user manual and check if firmware upgrades are available.

### Step 1: Check What's in the Box



The 4 products listed above represent the basic order.

- ✓ Enclosure sheet metal box
- ✓ Black Locking device
- ✓ Black frame
- ✓ Cutout template



**For White or Aluminum frame and/or White locking device, order separately frame and locking device accordingly.**

### Step 2: Table Cutout Dimensions

- T-IN2-REC1 – 131 x 58mm (5.16" x 2.28")
- T-IN4-REC1 - 231 x 58mm (9.09" x 2.28")
- T-IN6-REC1 - 331 x 58mm (13.03 " x 2.28")



Kramer recommends using the cutout template (packed with device) and a hole saw for maximal accuracy.

### Step 3: Place Enclosure – Fasten Screws

1. Tighten screws until the frame is tightly clamped to the table.
2. Fit to standard table thickness between 10-50 mm (0.39" - 1.97").

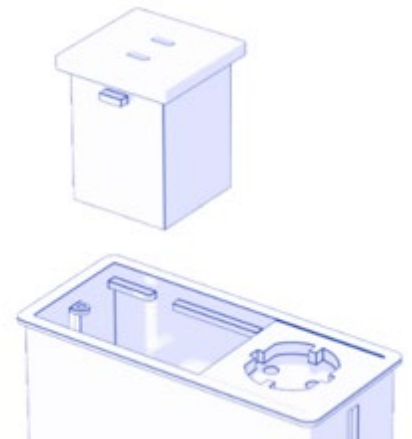
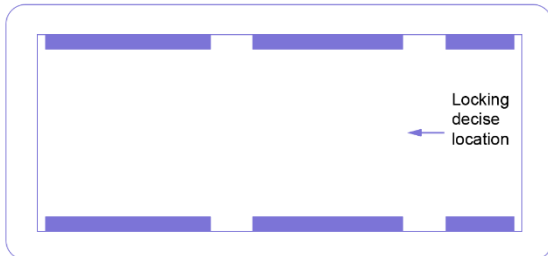


## Step 4: Slide Modules



Some modules are missing grooves – please follow the comments in the 'Modules list'.

Locking device should be placed on narrow slides as shown below.



\* Modules listed in Modules List section

## Step 5: Lock Module

1. Lift the cover plate and place locking device in position.
2. Lock the modules by turning Locking device mechanism a quarter turn (full turn 360°, half turn 180°, 90° does the job).
3. Place back the cover plate.

