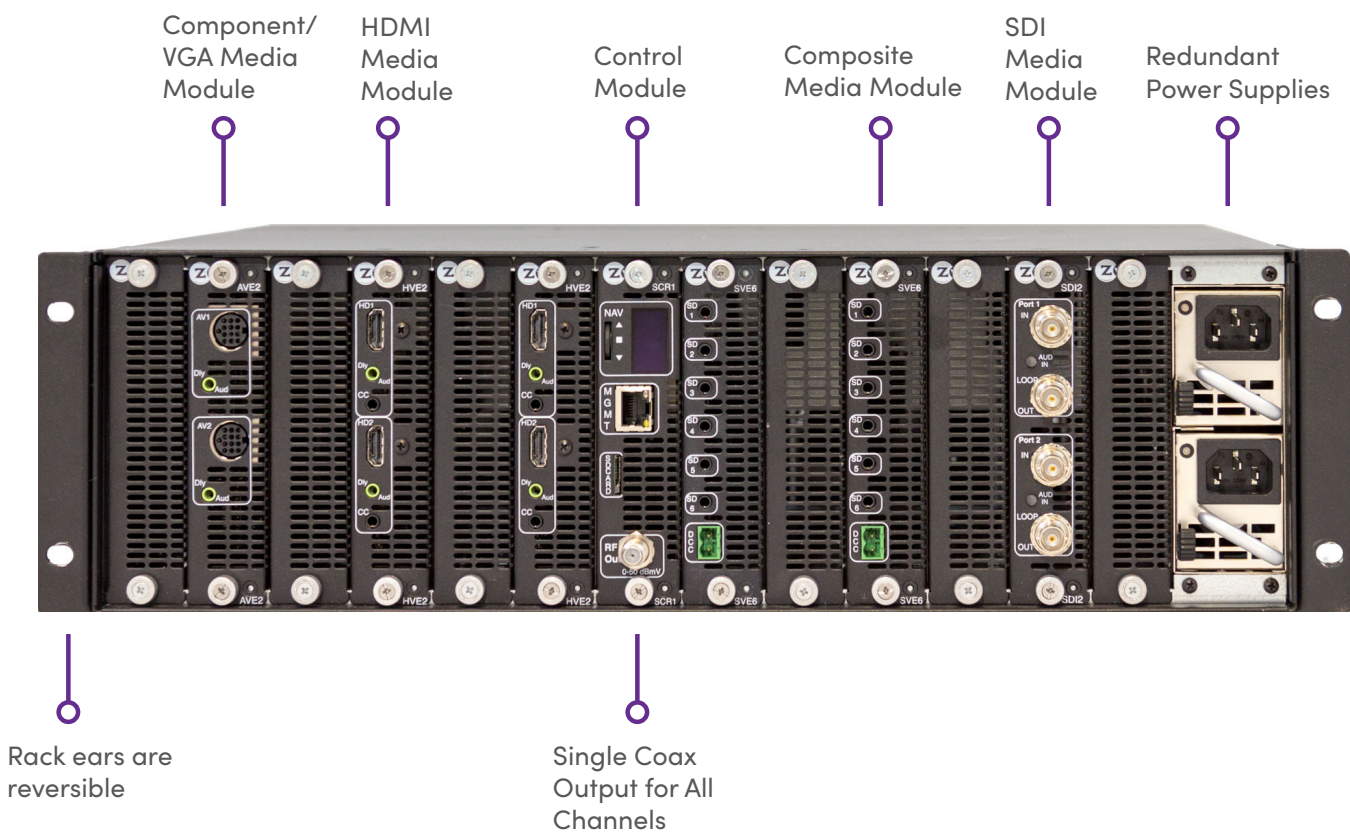


HDbridge Series

Product Number: HDB3KR-NA

HDb3000 Chassis and Control Module

HDbridge3000 is a modular chassis with slots for up to 12 hot-swappable Media Modules, allowing you to mix and match cards with different video interfaces and resolutions. Populate the chassis with up to 72 channels of SD over RF, 24 channels of HD over RF (with optional IP streams), or a mix of boards as needed. Combine multiple HDbridge3000 units to increase the number of channels. Includes one Control Module for configuration & management, two hot-swappable power supplies with cords, four hot-swappable fans, and eight blank face plates covering empty slots. Audio/Video cables are sold separately.



What's in the box?

- HDbridge3000 Chassis System
- One Control Module
- Two Hot Swappable Power Supplies with Cords
- Four Hot Swappable Fans
- Eight Blank Face Plates

HDbridge Series

Product Number: HDB3KR-NA

General	
Power	100 ~ 240 V AC 50/60 Hz, 300 W capacity, IEC 60320-C14 jack
Cooling	Four hot-swappable, N+1 redundant, high-capacity cooling fans, front inlet, rear exhaust
Operating Temperature	+32°F to +113°F (0°C to +45°C)
Mounting	Standard 19-inch equipment rack mounting Height: 3 standard rack units front or rear mountable rack ears
Dimensions (W x H x D)	17.4" x 5.1" x 14.75" (441 mm x 129 mm x 374 mm)
Shipping Weight	29.5 lbs (13.4 kg), includes packaging
Warranty	5 Years
Modulator	
Modulation Types	QAM 256 and 64 (ITU-T J83 Annex B) or DVB-T, DVB-C (ITU-T J83 Annex A) (varies by region)
Cable Standard	QAM Standard, HRC, or IRC / DVB-T & DVB-C User defined (varies by region)
CCIR Frequency Range	Frequency agile QAM RF CATV from 54-864 MHz, (Channels 2-135) Frequency must be within 400 Mhz band within the chassis Frequency agile CCIR Channels 21-79, 57 MHz - 900 MHz
Quality	2kHz resolution, +/- 30 PPM accuracy, +/- 35 PPM stability
RF Output Level	13-34 dBmV in one DB increments
MER	> 39 dB, typical
Simple Setup	
User Interface	ZeeVee Maestro
Network Interface	10/100 Mb Ethernet via RJ45 connection IP address displayed on the front and back LCD screens Set IP via DHCP (default) or static Browser-based interface for quick and easy configuration Easy firmware updates All settings are persistent